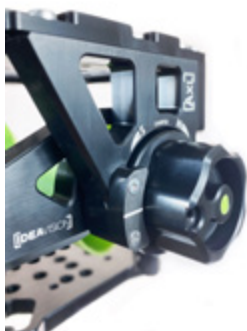


### AXL - Compensation Axis

The AXL compensation axis is the world's lightest iso dampener, helping you to expand the boundaries with a more massive camera or long lens during shooting with remote head. This dampener increases gimbal heads' efficiency by reducing rotational stress and smoothing out pan errors by isolating high-frequency vibrations between the mount & head and delivering perfect results. There is one damper for each axis, which helps to optimize the adjustment. Because of our state of the art technology we are damping without hydraulic dampers. No leaking and no issues with heat or cold.



### AXL System Features

Designed for all underslung setups

Silicone/Carbon fibre damping system

Small in size

Various platform setups (Standard, Mitchell,...)

Individual adjustment and tuning

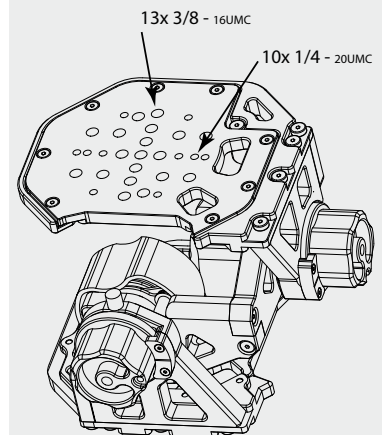
Toolless

Use: Cable Cam, Shock Absorber, Crane, Drone, ...

### System Specification

#### Dimensions AXL:

Length: 21 cm / 8.27"  
Width: 21 cm / 8.27"  
Height: 25 cm / 5.90"



#### Payload:

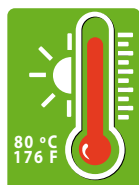
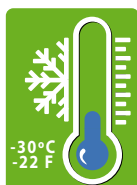
max. payloads Depending on how it is used  
1 kg - 40 kg / 2 lbs - 88 lbs

AXL weight appr.: 2,8 kg / 6,17 lbs

#### Additional Data:

Ambient temperature: - 30°C to + 80°C  
- 22°F to + 176°F

Certifications & Approvals:  
RoHS, IP45



IDEA VISION GmbH  
Anzengruberstr. 16  
83059 Kolbermoor  
D-Germany





Standard plate



Mitchell male mount



Mitchell female mount



## What is different to common systems?

Is the world lightest iso dampener – 2,8 kg (incl. standard plate)

New way of dampening – mix of silicone and carbon fibre

Payload – up to 40 kg

Freedom of Movement 30°

Temperature range: -30°C until +80°C

No hydraulic, No Oil, No leaking!!!

No maintenance needed

